

Lumi Spec Inc Electronic Ballast

Ballast Catalogue Number	Input Volt (V)	Lamp Descriptions	Input Watts (W)	Input Current (Amp)	Power Factor	Ballast Factor	THD	Crest Factor	Case Temp (°C)	Min Starting Temp (°C)	Wiring Diagram Temp				
Program Start Ballasts for T5 lamps															
M221T5PS	120	1 x FP14T5	17	0.15	HPF	1.0	10	<1.5	70°C	-20°C	fig 6				
		1 x FP21T5	24	0.20	HPF	1.0	6	<1.5			fig 6				
		2 x FP14T5	33	0.27	HPF	0.9	6	<1.6			fig 7				
		2 x FP21T5	47	0.39	HPF	0.9	4	<1.5			fig 7				
	230	1 x FP14T5	18	0.08	HPF	1.0	15	<1.5			fig 6				
		1 x FP21T5	24	0.11	HPF	1.0	11	<1.5			fig 6				
		2 x FP14T5	34	0.15	HPF	0.9	8	<1.5			fig 7				
		2 x FP21T5	47	0.21	HPF	0.9	8	<1.5			fig 7				
	277	1 x FP14T5	18	0.07	HPF	1.0	36	<1.5			fig 6				
		1 x FP21T5	25	0.09	HPF	1.0	18	<1.5			fig 6				
		2 x FP14T5	34	0.13	HPF	0.9	10	<1.5			fig 7				
		2 x FP21T5	48	0.17	HPF	0.9	7	<1.5			fig 7				
Dimensions		Length= 314mm, Mounting= 300mm, Width= 33mm, Height= 28mm Length= 12.4", Mounting= 11.80", Width= 1.30", Height= 1.10"													
AC221T5PS	277	1 x FP14T5	19	0.07	HPF	1.0	13	<1.4	70°C	-20°C	fig 6				
		1 x FP21T5	25	0.09	HPF	1.0	9	<1.4			fig 6				
		2 x FP14T5	35	0.13	HPF	1.0	8	<1.4			fig 7				
		2 x FP21T5	48	0.17	HPF	1.0	8	<1.4			fig 7				
	347	1 x FP14T5	19	0.06	HPF	1.0	58	<1.5			fig 6				
		1 x FP21T5	25	0.08	HPF	1.0	29	<1.4			fig 6				
		2 x FP14T5	35	0.10	HPF	1.0	10	<1.4			fig 7				
		2 x FP21T5	48	0.14	HPF	1.0	7	<1.4			fig 7				
		Dimensions		Length= 325mm, Mounting= 317mm, Width= 34mm, Height= 29mm Length= 12.8", Mounting= 12.5", Width= 1.34", Height= 1.14"											

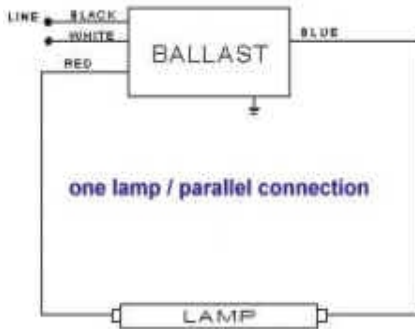


fig 6

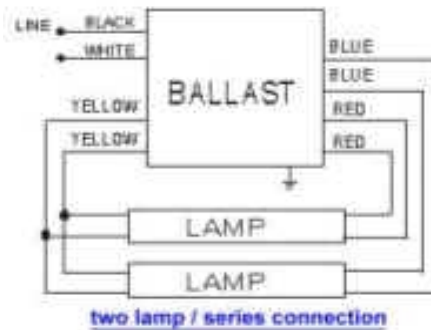


fig 7

All products cULus approved
 All products are sound rated A
 Class P Thermally Protected (Inherent)
 Carrier guard Protection for powerline carrier signals
 Surge Protected, Meets ANSI C62.41
 End of Lamp Life Protection Circuit
 Auto Reset

Ballast Catalogue Number	Input Volt (V)	Lamp Descriptions	Input Watts (W)	Input Current (Amp)	Power Factor	Ballast Factor	THD	Crest Factor	Case Temp (°C)	Min Starting Temp (°C)	Wiring Diagram Temp
Program Start Ballasts for T5 lamps											
M224T5PS	120	1 x FP24T5	28	0.23	HPF	1.0	6	<1.5	70°C	-20°C	fig 6
		2 x FP24T5	52	0.43	HPF	0.9	3	<1.4			fig 7
	230	1 x FP24T5	28	0.13	HPF	1.0	13	<1.5			fig 6
		2 x FP24T5	51	0.22	HPF	0.9	8	<1.4			fig 7
	277	1 x FP24T5	29	0.11	HPF	1.0	16	<1.5			fig 6
		2 x FP24T5	52	0.18	HPF	0.9	9	<1.4			fig 7
Dimensions		Length= 292mm, Mounting= 282mm, Width= 34mm, Height= 28.12mm Length= 11.5", Mounting= 11.11", Width= 1.34", Height= 1.11"									
AC224T5PS	277	1 x FP24T5	27	0.10	HPF	1.0	11	<1.5	70°C	-20°C	fig 6
		2 x FP24T5	51	0.18	HPF	0.9	7	<1.5			fig 7
	347	1 x FP24T5	28	0.15	HPF	1.0	27	<1.6			fig 6
		2 x FP24T5	51	0.08	HPF	1.0	7	<1.5			fig 7
Dimensions		Length= 325mm, Mounting= 317mm, Width= 34mm, Height= 29mm Length= 12.8", Mounting= 12.5", Width= 1.34", Height= 1.14"									

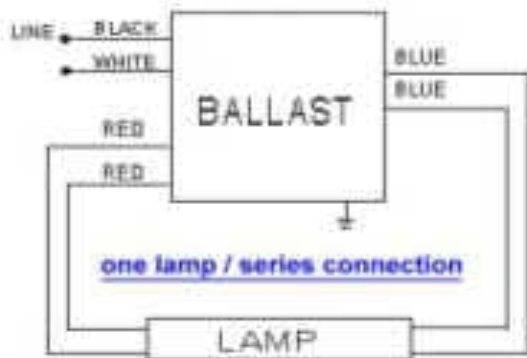


fig 6

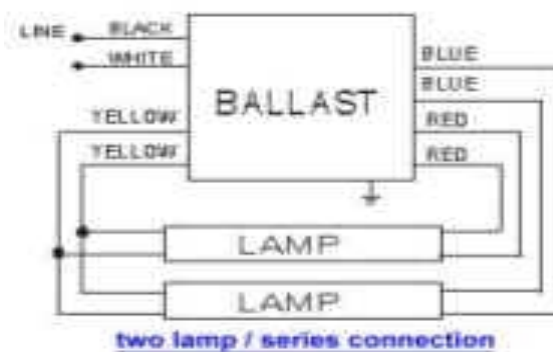


fig 7

All products cULus approved
 All products are sound rated A
 Class P Thermally Protected (Inherent)
 Carrier guard Protection for powerline carrier signals
 Surge Protected, Meets ANSI C62.41
 End of Lamp Life Protection Circuit
 Auto Reset

Ballast Catalogue Number	Input Volt (V)	Lamp Descriptions	Input Watts (W)	Input Current (Amp)	Power Factor	Ballast Factor	THD	Crest Factor	Case Temp (°C)	Min Starting Temp (°C)	Wiring Diagram Temp
Program Start Ballasts for T5 lamps											
M235T5PS	120	1 x F28T5	35	0.29	HPF	1.1	6	<1.5	70°C	-20°C	fig 6
		1 x F35T5	42	0.35	HPF	1.0	5	<1.3			fig 6
		2 x F28T5	68	0.56	HPF	0.9	4	<1.3			fig 7
		2 x F35T5	84	0.69	HPF	0.9	4	<1.3			fig 7
	230	1 x F28T5	36	0.16	HPF	1.1	10	1.4			fig 6
		1 x F35T5	43	0.19	HPF	1.0	9	<1.3			fig 6
		2 x F28T5	69	0.30	HPF	1.0	7	<1.3			fig 7
		2 x F35T5	84	0.36	HPF	0.9	6	<1.3			fig 7
	277	1 x F28T5	85	0.13	HPF	1.1	15	1.4			fig 6
		1 x F35T5	69	0.16	HPF	1.0	12	<1.3			fig 6
		2 x F28T5	44	0.25	HPF	1.0	8	<1.3			fig 7
		2 x F35T5	37	0.30	HPF	1.0	7	<1.3			fig 7
Dimensions	Length= 292mm, Mounting= 282mm, Width= 34mm, Height= 28.12mm Length= 11.5", Mounting= 11.11", Width= 1.34", Height= 1.11"										
AC235T5PS	277	1 x F28T5	34	0.12	HPF	1.0	9	<1.4	70°C	-20°C	fig 6
		1 x F35T5	40	0.15	HPF	1.0	7	<1.4			fig 6
		2 x F28T5	65	0.24	HPF	0.9	9	<1.4			fig 7
		2 x F35T5	77	0.28	HPF	0.9	9	<1.4			fig 7
	347	1 x F28T5	35	0.11	HPF	1.0	43	<1.4			fig 6
		1 x F35T5	41	0.13	HPF	1.0	44	<1.4			fig 6
		2 x F28T5	66	0.19	HPF	1.0	8	<1.4			fig 7
		2 x F35T5	78	0.23	HPF	0.9	7	<1.4			fig 7
Dimensions	Length= 325mm, Mounting= 317mm, Width= 34mm, Height= 29mm Length= 12.8", Mounting= 12.5", Width= 1.34", Height= 1.14"										

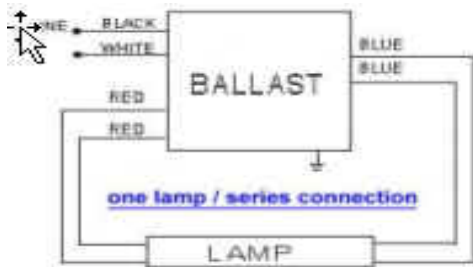


fig 6

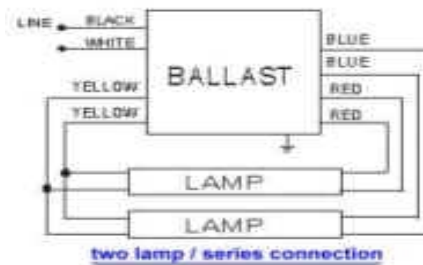


fig 7

All products cULus approved
 All products are sound rated A
 Class P Thermally Protected (Inherent)
 Carrier guard Protection for powerline carrier signals
 Surge Protected, Meets ANSI C62.41
 End of Lamp Life Protection Circuit
 Auto Reset

Ballast Catalogue Number	Input Volt (V)	Lamp Descriptions	Input Watts (W)	Input Current (Amp)	Power Factor	Ballast Factor	THD	Crest Factor	Case Temp (°C)	Min Starting Temp (°C)	Wiring Diagram Temp
--------------------------	----------------	-------------------	-----------------	---------------------	--------------	----------------	-----	--------------	----------------	------------------------	---------------------

Program Start Ballasts for T5 lamps

M254T5PS	120	1 x PLL50	60	0.50	HPF	1.0	12	<1.5	70°C	-20°C	fig 6
		1 x FP54T5HO	60	0.48	HPF	0.9	12	<1.5			fig 6
		1 x FT55DL	54	0.44	HPF	0.9	16	<1.6			fig 6
		2 x FP39T5HO	89	0.73	HPF	1.1	5	<1.5			fig 7
		2 x PLL50	108	0.89	HPF	0.9	5	<1.5			fig 7
		2 x FP54T5HO	99	0.82	HPF	0.8	6	<1.5			fig 7
		2 x FT55DL	119	0.99	HPF	0.9	5	<1.4			fig 7
	230	1 x PLL50	60	0.27	HPF	1.0	14	<1.6			fig 6
		1 x FP54T5HO	60	0.26	HPF	1.0	15	<1.5			fig 6
		1 x FT55DL	55	0.23	HPF	1.0	16	<1.6			fig 6
		2 x FP39T5HO	88	0.38	HPF	1.0	12	<1.5			fig 7
		2 x PLL50	110	0.48	HPF	1.0	11	<1.5			fig 7
		2 x FP54T5HO	119	0.52	HPF	0.9	11	<1.4			fig 7
		2 x FT55DL	99	0.43	HPF	0.8	13	<1.5			fig 7
	277	1 x PLL50	60	0.23	HPF	1.0	22	<1.5			fig 6
		1 x FP54T5HO	60	0.22	HPF	1.0	20	<1.5			fig 6
		1 x FT55DL	55	0.21	HPF	0.9	30	<1.5			fig 6
		2 x FP39T5HO	88	0.32	HPF	1.0	13	<1.5			fig 7
		2 x PLL50	110	0.32	HPF	0.9	9	<1.5			fig 7
		2 x FP54T5HO	119	0.34	HPF	0.9	9	<1.4			fig 7
		2 x FT55DL	109	0.32	HPF	0.8	9	<1.5			fig 7

Dimensions Length= 325mm, Mounting= 317mm, Width= 34mm, Height= 29mm
 Length= 12.8", Mounting= 12.5", Width= 1.34", Height= 1.14"

AC254T5PS	277	1 x PLL50	57	0.20	HPF	0.9	9	<1.6	70°C	-20°C	fig 6
		1 x FP54T5HO	61	0.22	HPF	1.0	9	<1.4			fig 6
		1 x FT55DL	60	0.22	HPF	0.9	10	<1.5			fig 6
		2 x FP39T5HO	84	0.30	HPF	0.9	8	<1.6			fig 7
		2 x PLL50	109	0.40	HPF	0.9	5	<1.5			fig 7
		2 x FP54T5HO	119	0.42	HPF	0.9	5	<1.4			fig 7
		2 x FT55DL	107	0.39	HPF	0.8	5	<1.5			fig 7
	347	1 x PLL50	85	0.18	HPF	1.0	11	<1.6			fig 6
		1 x FP54T5HO	61	0.18	HPF	1.0	10	<1.4			fig 6
		1 x FT55DL	60	0.18	HPF	0.9	12	<1.5			fig 6
		2 x FP39T5HO	85	0.25	HPF	0.9	8	<1.6			fig 7
		2 x PLL50	110	0.32	HPF	0.9	9	<1.5			fig 7
		2 x FP54T5HO	119	0.34	HPF	0.9	9	<1.4			fig 7
		2 x FT55DL	109	0.32	HPF	0.8	9	<1.5			fig 7

Dimensions Length= 325mm, Mounting= 317mm, Width= 34mm, Height= 29mm
 Length= 12.8", Mounting= 12.5", Width= 1.34", Height= 1.14"

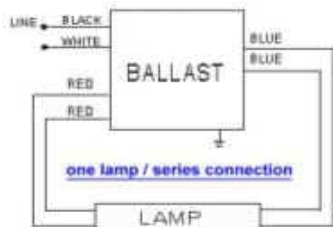


fig 6

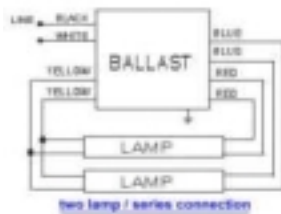


fig 7

All products cULus approved
 All products are sound rated A
 Class P Thermally Protected (Inherent)
 Carrier guard Protection for powerline carrier signals
 Surge Protected, Meets ANSI C62.41
 End of Lamp Life Protection Circuit
 Auto Reset